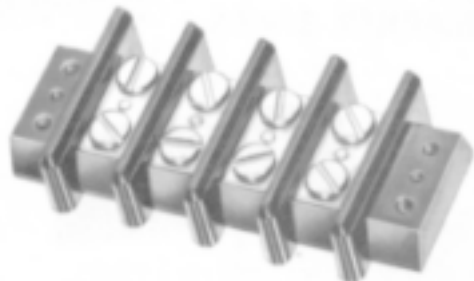


MARCO 11/16" CENTERS DOUBLE ROW

SERIES 3600

.6875 (11/16") CENTERS



MOLDING COMPOUND:

G.P. PHOENOLIC (BLACK), ALSO AVAILABLE

MAI-60 PER MIL-M-14 (GRAY)

OR HEAVY DUTY POLYESTER GLASS FILLED (BLACK)

COLOR: BLACK OR GRAY

ELECTRICAL RATING:

CURRENT RATING: 50 AMPS

DIELECTRIC WITHSTANDING VOLTAGE: 1700 VOLTS RMS

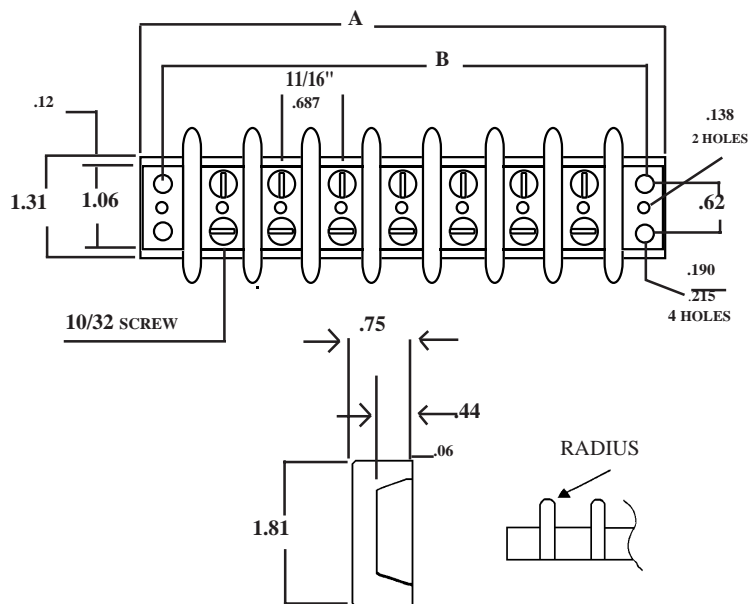
WIRE SIZE: WITH/COMM. LUGS #6 GA

SCREWS: 10/32 STEEL STANDARD OR 10/32 BRASS OPTIONAL

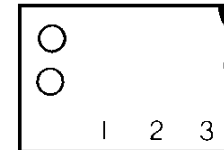
ORDERING INFO: 3600-04

First digits: represents block type (3600)

Second two digits: represents # of terminals



# OF TRM	A	B
-02	2.06	1.81
-03	3.18	2.75
-04	3.87	3.43
-05	4.56	4.12
-06	5.25	4.81
-07	5.93	5.50
-08	6.62	6.18



FOR INFORMATION ON
MARKER AND INSULATOR STRIPS,
STANDARD OR CUSTOM