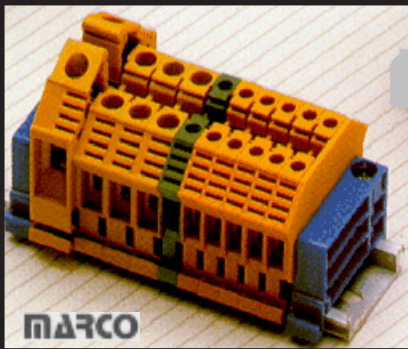




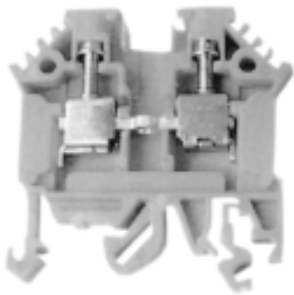
# Mounts on both TS32/TS35 Dinrails

## Series: HT4, HT10, NHT16

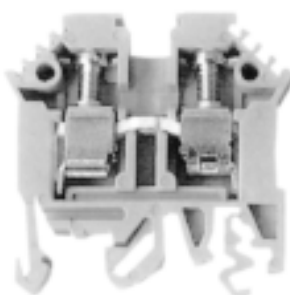


- Feed-Thru Terminals And Assemblies
- Screw Clamp Connection
- Material: Polyamide 66
  - HT-16, Qty. Per Pk. 50pcs
  - HT-4, HT-10 Qty. Per Pk. 100pcs
- VDE • CSA • UL

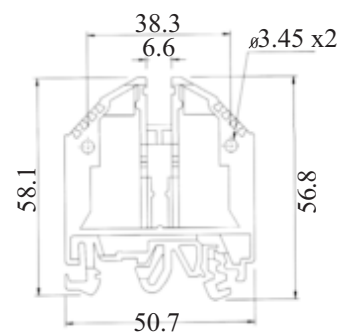
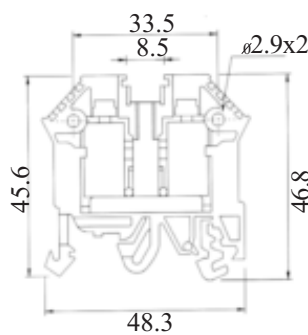
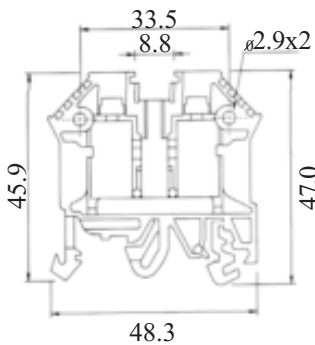
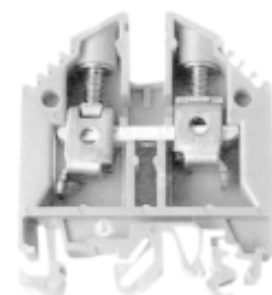
**HT-4**



**HT-10**



**HT-16**



Qty. Per Pck.	100pcs	Qty. Per Pck.	100pcs	Qty. Per Pck.	50pcs
Terminal Width	6.2mm	Terminal Width	8.4mm	Terminal Width	12.3mm
Insulation Stripping Length	11.5mm	Insulation Stripping Length	12mm	Insulation Stripping Length	15mm
0.5-4mm <sup>2</sup>	AWG 22-10	0.5-4mm <sup>2</sup>	AWG 22-8	0.5-4mm <sup>2</sup>	AWG 12-4
Voltage V	Current A	Voltage V	Current A	Voltage V	Current A
750V Gr.C	34A	750V Gr.C	55A	750V Gr.C	75A
600V	30A	600V	50A	600V	70A
600V	30A AWG 10	600V	50A AWG 8	600V	70A AWG 6
End Plate	EP-4	End Plate	EP-4	End Plate	EP-16